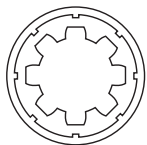


# Belt Drive Actuators

M60-35 Series

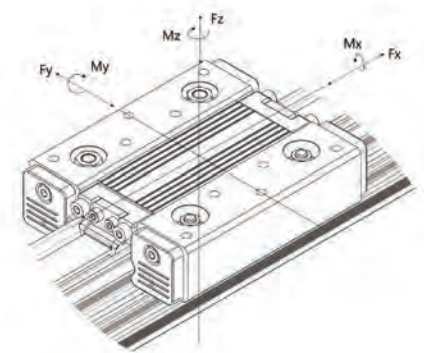


**MYOSTAT MOTION CONTROL INC.**

www.myostat.ca  
info@myostat.ca  
+1 905 836 4441

Technical Data				
	Unit		Value	
Max. Speed	m/s	ft/s	4	13.12
Max. Acceleration	m/s <sup>2</sup>	ft/s <sup>2</sup>	15	49.21
Nominal Input Torque	Nm	ft-lb	7	5.16
Positional Repeatability	+/- mm	+/- Inch	0.05	0.002
Pitch	mm	Inch	95	3.740
Belt Width			20	0.787
Toothed Belt	HTD3M			
Max. Belt Expansion	%		0.18	
Toothed Belt Tension	N	lbf	300	67.44
Fx Max.			350	78.68
Fy Max.			260	58.45
Fz Max.			350	78.68
Mx Max.	Nm	ft-lb	10	7.38
My (standard)			18	13.28
Mz (standard)			15	11.06
Mass for first meter	Kg	lb	4.65	10.23
Mass per additional meter			4.05	8.91

Variable Dimensions	
RL - Rail Length	350 - 3600 [13.780-141.732]
L - Overall Length	RL +127.5 [5.020]
S - Stroke	RL - (142 [5.591] x Number of Carriages)

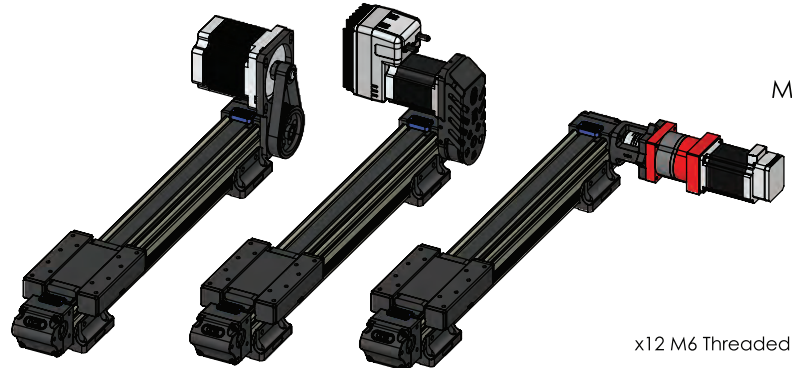


## Naming Convention

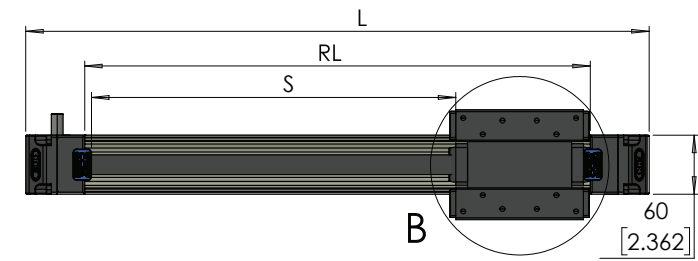
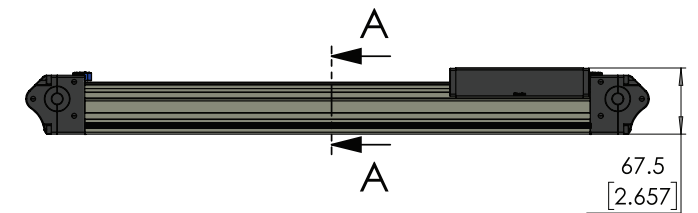
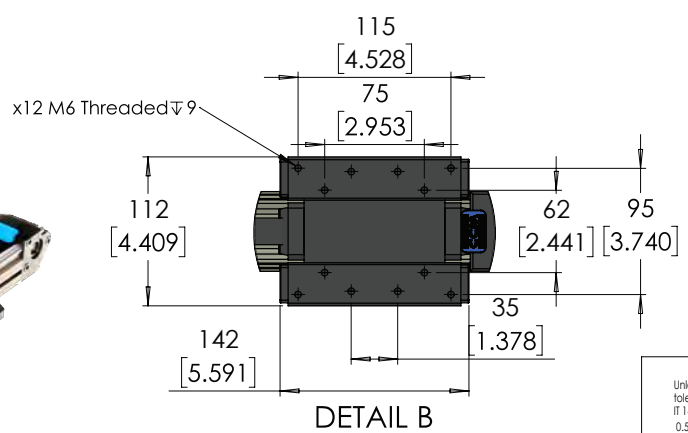
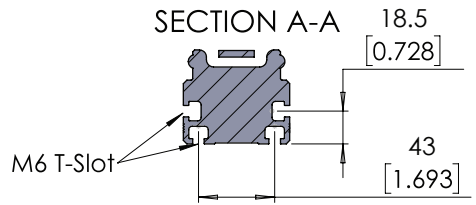
M60-35-□-□-□□□□


Frame Size    Fz Max.    Number of Carriages    Shaft Position    Stroke

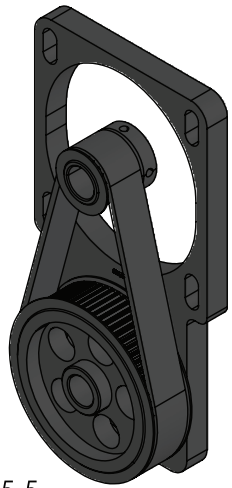
Shaft Position	
1	5
2	6
3	7
4	8



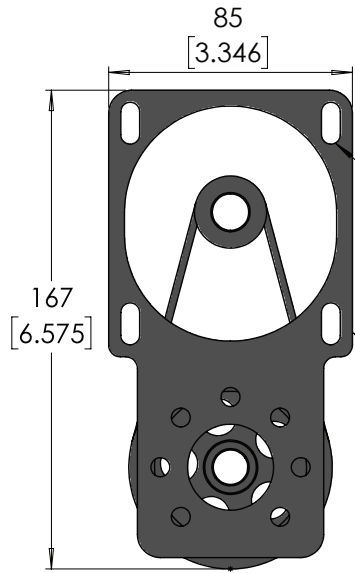
Available with Inline Motor Mount, SX Gearbox and 23L20C, 2:1 Belt Reduction or 5:1 Belt Reduction



Unless otherwise specified, tolerance to be: CNS 4018 IT 14 Linear measures 0.5-3 ±0.1 3-6 ±0.1 6-30 ±0.2 30-120 ±0.3 120-315 ±0.5	NAME	DATE	DO NOT SCALE DRAWING	DIMENSIONS ARE METRIC
	DRAWN	M.Reynolds	04-10-2018	<b>TITLE:</b> <b>M60-35 Series Belt Driven Actuator</b>
CHECKED	M.Dank	04-10-2018		
ENG APPR.	M.Dank	04-10-2018		
PROPRIETARY AND CONFIDENTIAL THE INFORMATION CONTAINED IN THIS DRAWING IS THE SOLE PROPERTY OF MYOSTAT MOTION CONTROL INC. ANY REPRODUCTION IN PART OR AS A WHOLE WITHOUT THE WRITTEN PERMISSION OF MYOSTAT MOTION CONTROL INC.	 Myostat Motion Control Inc. +1 905-856-4441 www.myostat.ca		PRT. NO.	REV
			M60-35-□-□-□□□□	



SR5-5  
Belt Reduction Available in 5:1

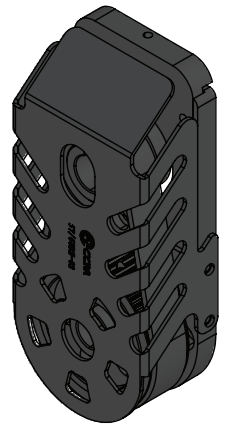
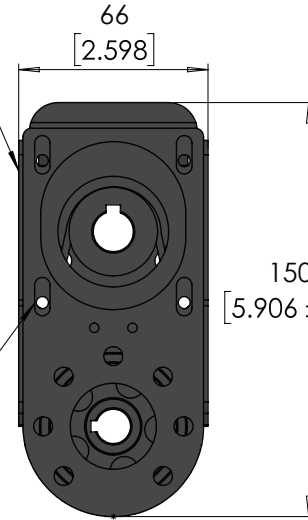


Accepts 60mm Servo Motor with 14mm shaft

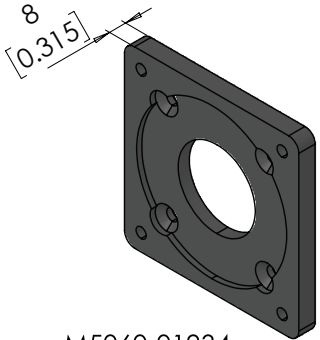
Slotted for Tensioning

Accepts NEMA 34 Motor with 1/2" shaft

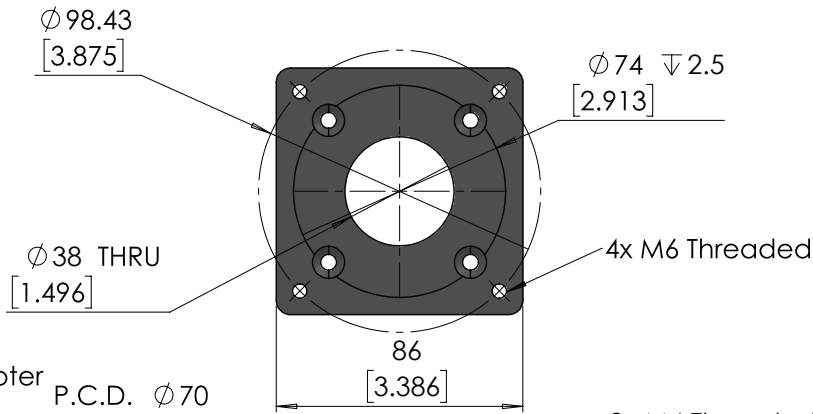
4x M5 Threaded



SR2-2  
Belt Reduction Available in 2:1



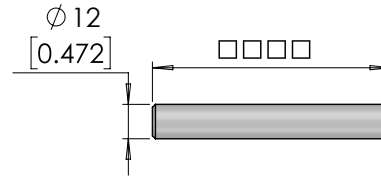
M5060-01934  
34 Stepper Motor Adapter



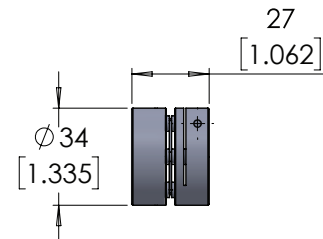
4x M6 Threaded

P.C.D.  $\phi$  70 [2.756]

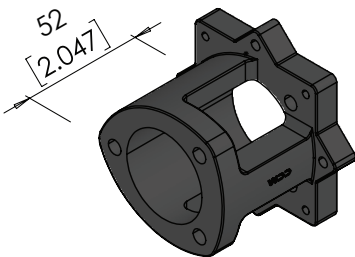
8x M4 Threaded or  
8x M5 Threaded



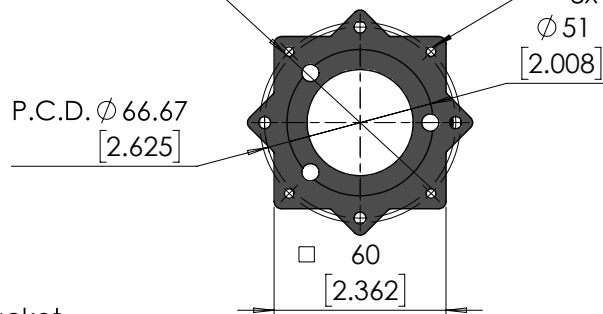
SFT-12-□□□□  
12mm Shaft Variable Length




PML34-12-□□  
12 mm Coupling with Variable Input



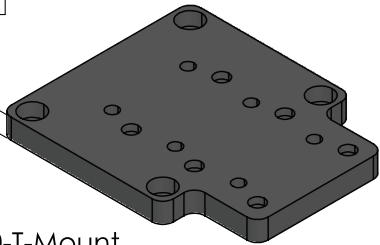
M5060-M23-M4  
M5060-M23-M5  
Nema 23 Inline Motor Bracket



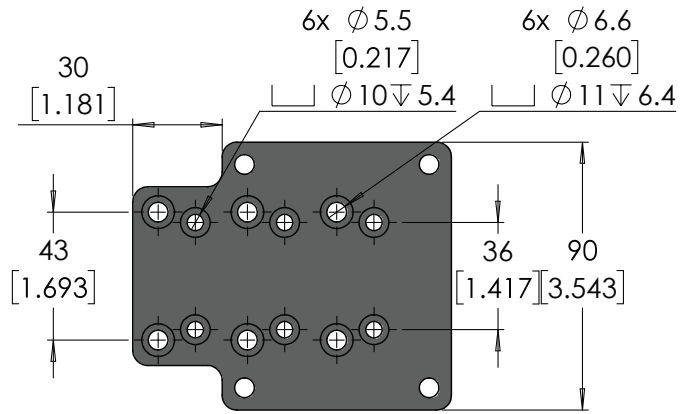
UNITS: mm [inch]

Unless otherwise specified, tolerance to be: CNS 4018 IT 14 Linear measures 0.5-3 ± 0.1 3-6 ± 0.1 6-30 ± 0.2 30-120 ± 0.3 120-315 ± 0.5	DRAWN	M.Reynolds	04-10-2018	DO NOT SCALE DRAWING	DIMENSIONS ARE METRIC
	CHECKED	M.Dank	04-10-2018	TITLE:  <h1>M60-35 Accessories</h1>	
	ENG APPR:	M.Dank	04-10-2018		
PROPRIETARY AND CONFIDENTIAL THE INFORMATION CONTAINED IN THIS DRAWING IS THE SOLE PROPERTY OF MYOSTAT MOTION CONTROL INC. ANY REPRODUCTION IN PART OR AS A WHOLE WITHOUT THE WRITTEN PERMISSION OF Myostat Motion Control Inc.		 Myostat Motion Control Inc. +1 905-856-4441 www.myostat.ca		PRT. NO. M60-35-□-□-□□□□	REV 2.2

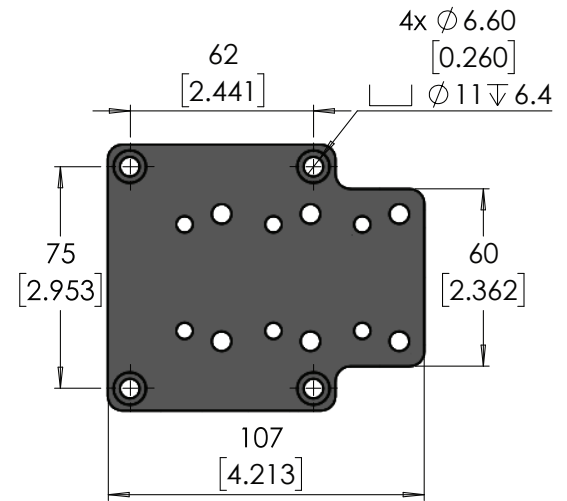
9.5  
[0.374]



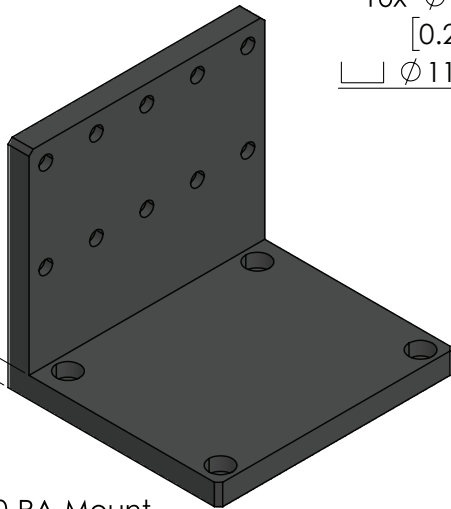
M60-T-Mount  
2 Axis Mounting Bracket



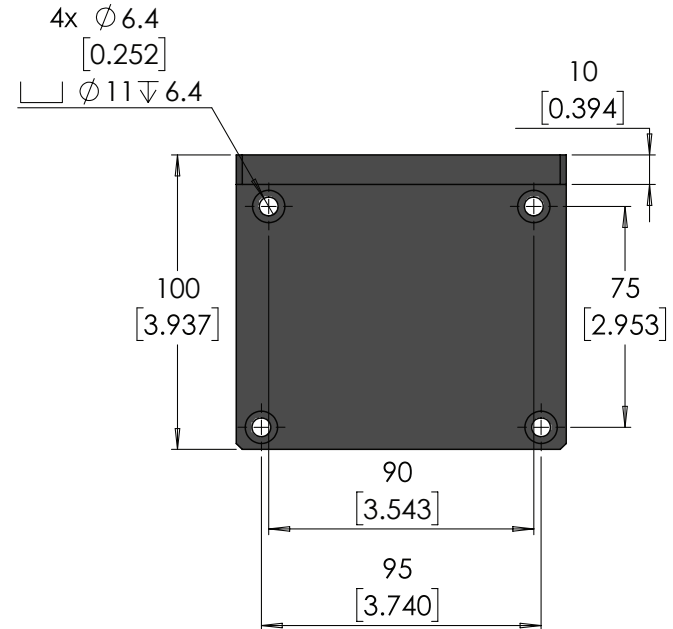
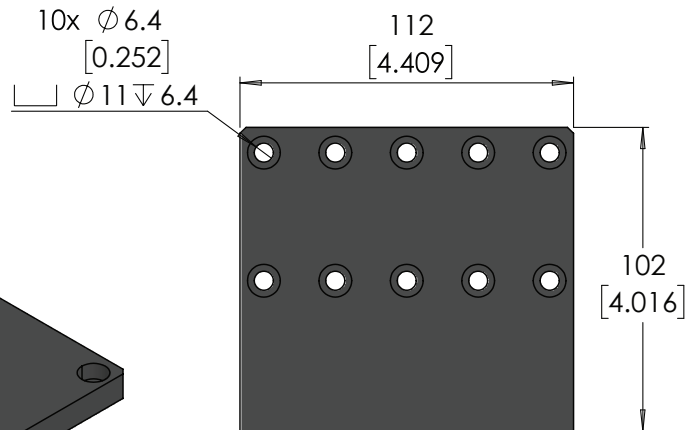
Offset holes allow for mounting of either M50 or M60



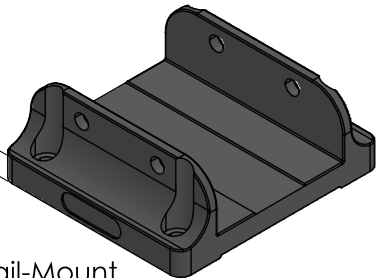
10  
[0.394]



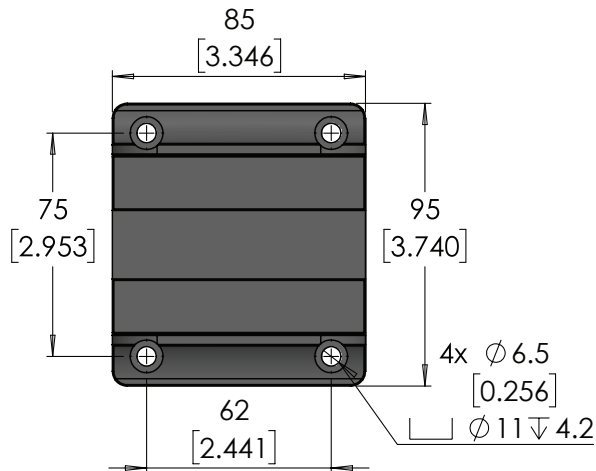
M60-RA-Mount  
Right Angle Rail Mount




10  
[0.394]



M60 Rail-Mount  
M60 Rail Mount



UNITS: mm [inch]

Unless otherwise specified, tolerance to be: CNS 4018 IT 14 Linear measures 0.5-3 ±0.1 3-6 ±0.1 6-30 ±0.2 30-120 ±0.3 120-315 ±0.5	DRAWN	M.Reynolds	04-10-2018	DO NOT SCALE DRAWING	DIMENSIONS ARE METRIC
	CHECKED	M.Dank	04-10-2018	TITLE: <h1>M60 Mounting Options</h1>	
ENG APPR.	M.Dank	04-10-2018	PRT. NO. M60-35-□-□-□□□□		
PROPRIETARY AND CONFIDENTIAL THE INFORMATION CONTAINED IN THIS DRAWING IS THE SOLE PROPERTY OF MYOSTAT MOTION CONTROL INC. ANY REPRODUCTION IN PART OR AS A WHOLE WITHOUT THE WRITTEN PERMISSION of Myostat Motion Control Inc.			 Myostat Motion Control Inc. +1 905-856-4441 www.myostat.ca		REV 2.2

# Pre-Configured Gantry Styles

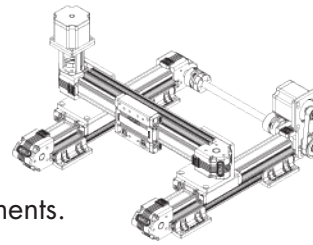
Please reference the gantry style number, along with required strokes and motors or motor mounts. Additional modifications or customization are available.

Gantries can be supplied with or without cable tracks and cabling.

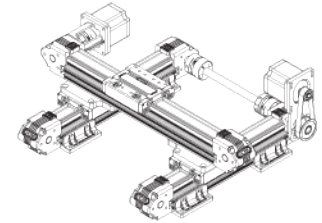
Some configurations are limited to specific frame sizes.

Our engineers can help pick the right combination based on your load and speed requirements.

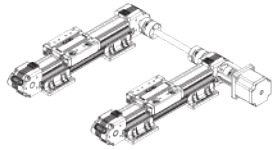
1



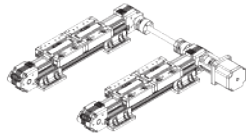
2



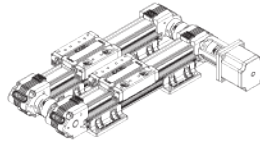
3



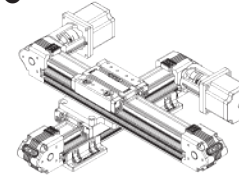
4



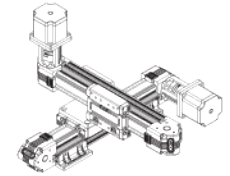
5



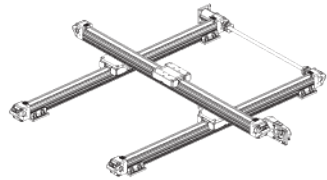
6



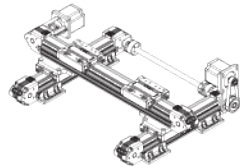
7



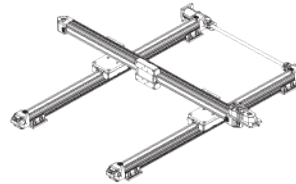
8



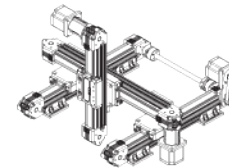
9



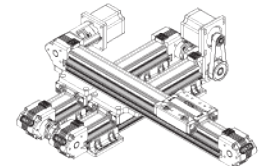
10



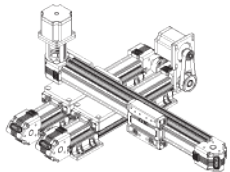
11



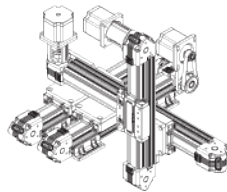
12



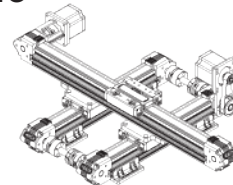
13



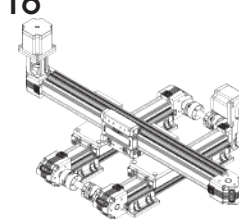
14



15



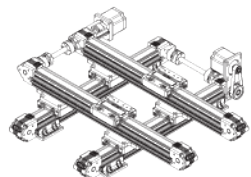
16



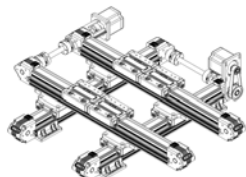
17



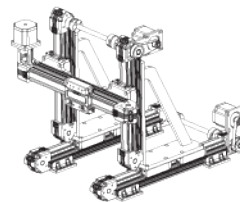
18



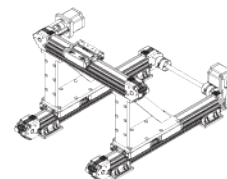
19



20



21



22

